

# Electronic Proximity® Sensing Technology Lavatory Faucets

**HDF®**  
COMMERCIAL

**DELTA®**

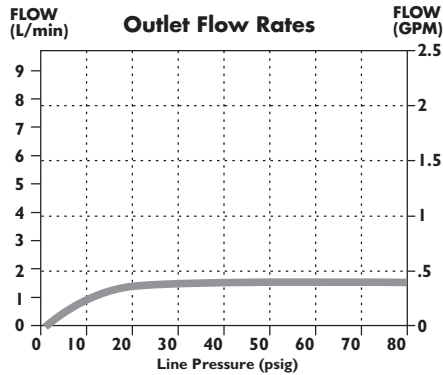
## SPECIFICATION: (example)

- Deck mount electronic lavatory faucet
- All metal spout construction
- **Proximity® Sensing Technology**
- Hardwire units supplied with 24 VAC to 6 VDC converter (Transformer required). (Specify separately)
- Battery units supplied with 4 "C" cell batteries
- Surface mount control box
- Mixing valve required (Order separately)
- Vandal resistant 0.5 gpm (1.9 L/min) laminar outlet

## 590-P Series

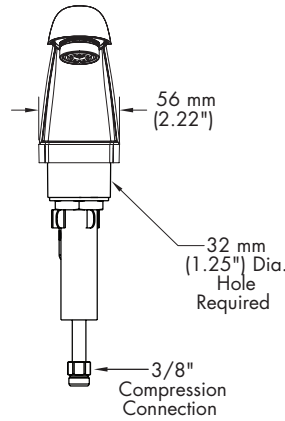
- Center mount, single hole installation
- 590-PLGHDF** (Battery)
- 590-PLGHDFHW** (Hardwire)

## FLOW RATE vs PRESSURE

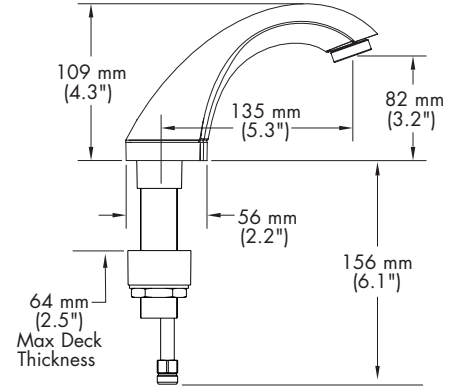


## 590-P SERIES ELECTRONIC DECK MOUNT LAVATORY FAUCET

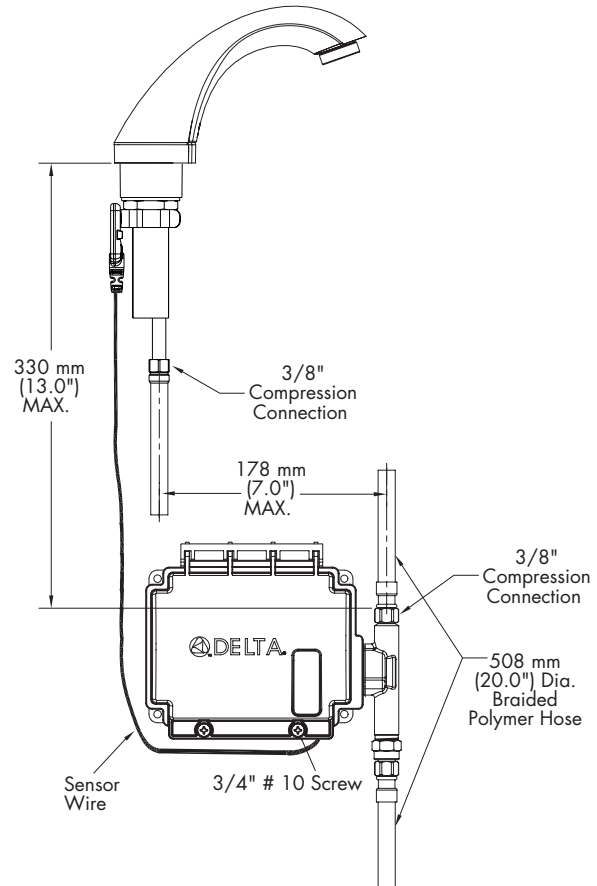
### FRONT VIEW



### SIDE VIEW



## 590-P SERIES TYPICAL INSTALLATION



Note: Measurements may vary ± 6mm (0.25")



## Approvals:

- CSA certified
- Complies to ASME A112.18.1/CSA B125.1
- Indicates compliance to ICC/ANSI A117.1
- Verified compliant with 0.25% weighted average Pb content regulations

(Contact Delta Representative for State and/or Local Approvals.)

Patented

Batteries included on all battery models.

Delta reserves the right (1) to make changes in specifications and materials, and (2) to change or discontinue models, both without notice or obligation. Dimensions are for reference only. See current full-line price book or [www.specselect.com](http://www.specselect.com) for finish options and product availability.

Flow Rates are at 60 PSI.

Note: Use all pages as product submittal sheets. Refer to [www.specselect.com](http://www.specselect.com) for individual models.

**SPECIFICATION: (example)**

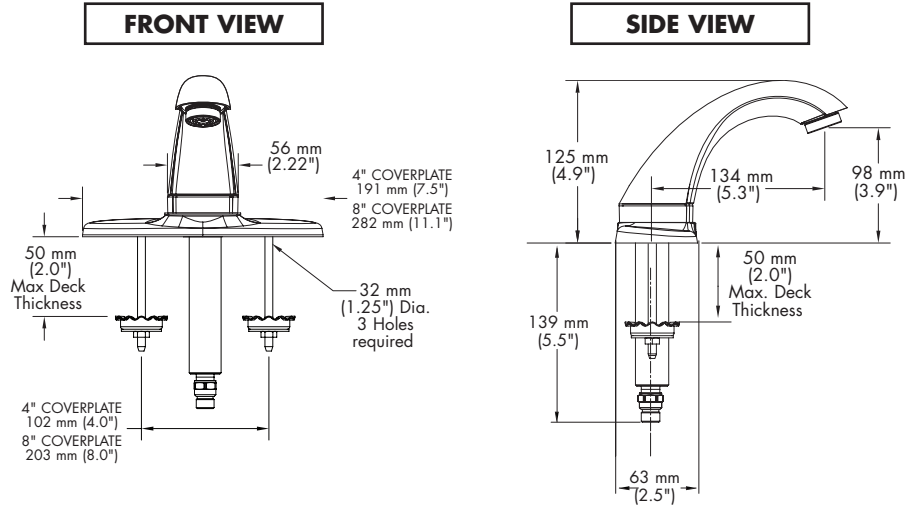
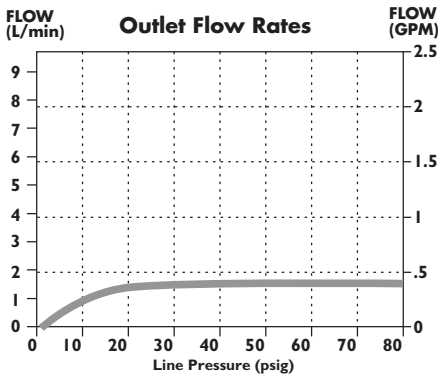
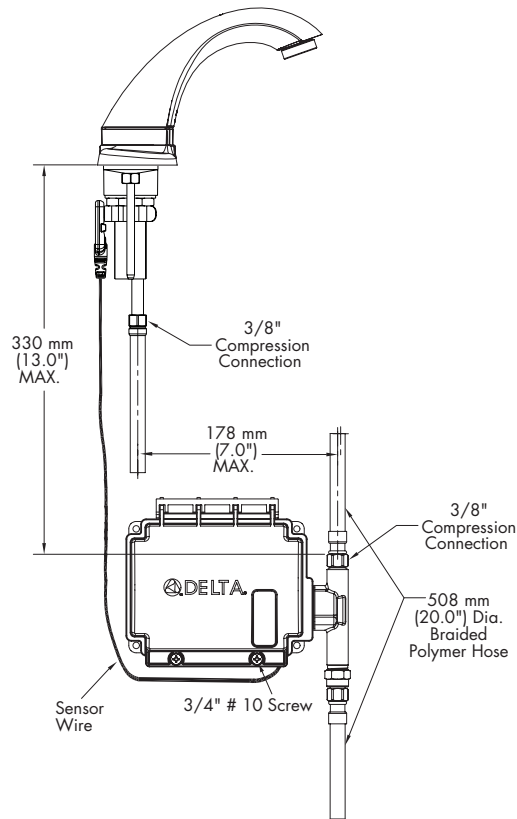
- Deck mount electronic lavatory faucet
- All metal spout construction
- **Proximity<sup>®</sup> Sensing Technology**
- Hardwire units supplied with 24 VAC to 6 VDC converter (Transformer required). (Specify separately).
- Battery units supplied with 4 "C" cell batteries
- Surface mount control box
- Mixing valve required (Order separately)
- Vandal resistant 0.5 gpm (1.9 L/min) laminar outlet

**591-P Series**

- 4" (102mm) centers
- Coverplate with anti-rotation pin
- ☐ **591-PLGHDF** (Battery)
- ☐ **591-PLGHDFHW** (Hardwire)

**592-P Series**

- 8" (203mm) centers
- Coverplate with anti-rotation pin
- ☐ **592-PLGHDF** (Battery)
- ☐ **592-PLGHDFHW** (Hardwire)

**591-P & 592-P SERIES  
 ELECTRONIC DECK MOUNT LAVATORY FAUCET**

**FLOW RATE vs PRESSURE**

**591-P & 592-P SERIES  
 TYPICAL INSTALLATION**

 Note: Measurements may vary  $\pm 6$ mm (0.25")

**Approvals:**

- CSA certified
- Complies to ASME A12.18.1/CSA B125.1
- Indicates compliance to ICC/ANSI A117.1
- Verified compliant with 0.25% weighted average Pb content regulations

(Contact Delta Representative for State and/or Local Approvals.)

Patented

 Batteries included on all battery models.  
 Note: Use all pages as product submittal sheets.  
 Refer to [www.specselect.com](http://www.specselect.com) for individual models.

 Delta reserves the right (1) to make changes in specifications and materials, and (2) to change or discontinue models, both without notice or obligation.  
 Dimensions are for reference only. See current full-line price book or [www.specselect.com](http://www.specselect.com) for finish options and product availability.

Flow Rates are at 60 PSI.

# Electronic Proximity® Sensing Technology Lavatory Faucets

**HDF®**  
COMMERCIAL



## 590-P Series

- Center mount, single hole installation
- 590-PLGHDF** (Battery)
- 590-PLGHDFHW** (Hardwire)

## 591-P Series

- 4" (102mm) centers
- Coverplate with anti-rotation pin
- 591-PLGHDF** (Battery)
- 591-PLGHDFHW** (Hardwire)

## 592-P Series

- 8" (203mm) centers
- Coverplate with anti-rotation pin
- 592-PLGHDF** (Battery)
- 592-PLGHDFHW** (Hardwire)

## OPERATION:

- Hands free (touchless) operation.
- No visible sensor, the spout is the sensor.
- Water flows when sensing is activated.
- Water flow stops upon de-activation of sensing.
- Adjustable sensing distance factory set to 76 mm (3").
- Low battery audible beep (for battery models only) will activate after faucet shuts off when approximately 1500 cycles remain.
- Adjustable auto shut off feature. Factory set to 45 seconds.
- Metering mode with selectable flow times of 7 seconds to 4 minutes, factory set off.
- Periodic Rinse feature, time adjustable in 6 hour increments up to 2 days. Selectable rinsing lengths from 10 to 180 seconds. Factory set off.

**NOTE 1:** For optimum performance of this product, we recommend a system pressure between 20 and 80 PSI static. This product will operate up to a maximum of 125 PSI static per ANSI and CSA requirements. However, we do not recommend pressures above 80 PSI. Thermal expansion or leaking pressure reducing valves may require use of expansion tanks or relief valves to ensure your system never exceeds its maximum intended pressure setting.

**NOTE 2:** Designed for routine 180°F (82°C) disinfection cycles up to 10 minutes.

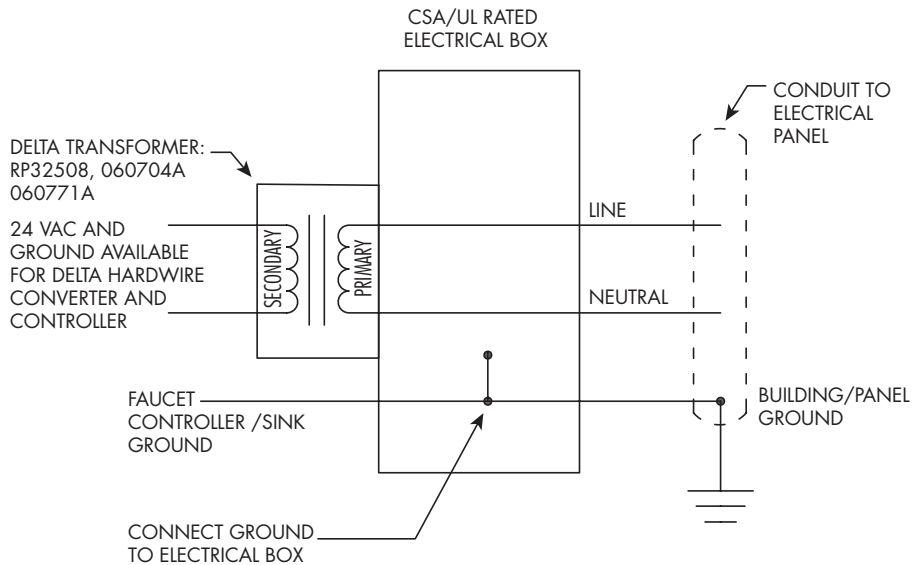
**NOTE 3:** Use 3-conductor 18AWG wire between transformer and hardwire converter/driver board earth ground.

**NOTE 4:** Use Delta Commercial approved transformers and mount the transformer a minimum of 6 inches away from the Delta driver board enclosure.

**NOTE 5:** Refer to Proximity Application Notes for installation best practices, proper grounding and wiring diagrams on [www.specselect.com](http://www.specselect.com).

## 590-P, 591-P & 592-P SERIES ELECTRONIC DECK MOUNT LAVATORY FAUCET

### ELECTRICAL SCHEMATICS



### Available Options for Field Conversion

**061047A**

**Hardwire with Battery Backup**

See DSP-BB for detailed specification.

**060651A**

**3 Position Switch**

See DSP-ELACC for detailed specification.

## VANDAL PROOF SURFACE MOUNT HOUSING

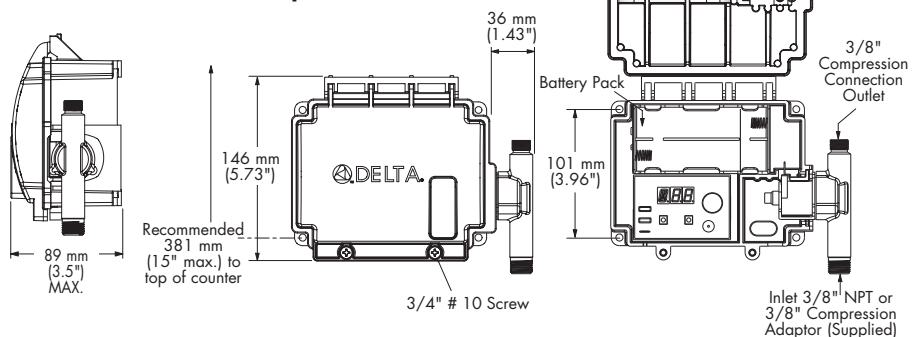
**Battery Operated** – Box shown.

**Hardwire Version** comes complete with Watertight Connector and Hardwire Converter 24VAC to 6VDC.

**Hardwire with Battery Backup**

(Available option for field conversion) comes complete with Watertight Connector, Hardwire Converter 24VAC to 6VDC and 9 volt battery.

See DSP-BB for detailed specification.



Note: Measurements may vary ± 6mm (0.25")

Batteries included on all battery models.

Delta reserves the right (1) to make changes in specifications and materials, and (2) to change or discontinue models, both without notice or obligation. Dimensions are for reference only. See current full-line price book or [www.specselect.com](http://www.specselect.com) for finish options and product availability.

Flow Rates are at 60 PSI.

Note: Use all pages as product submittal sheets. Refer to [www.specselect.com](http://www.specselect.com) for individual models.